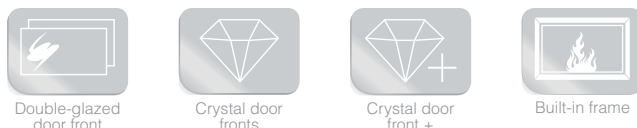


## Pano 55.. s

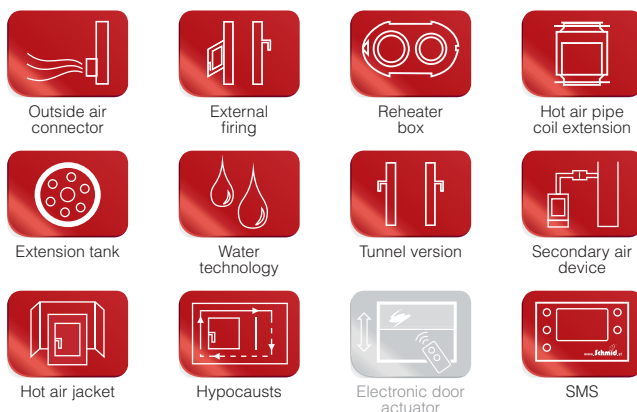


- Fire insert, open on one side
- 5545 - for tile size 22, H 45 cm  
5551 - for tile size 25, H 51 cm  
5557 - for tile size 28, H 57 cm
- Self-closing door, A1
- The lower panel for the secondary air is adjustable for an excellent glass wash
- Standard inner lining: fire clay, plain
- High-quality cast-iron dome, all parts are movable, adjustment from 0° to 90°
- Easy and fast adjustment of the construction height.
- Easily dismantles for transportation

#### Optional designs:



#### Optional comfort features:



### Specifications

Rated thermal output	kW	7
Output range (depending on the fuel quantity)	kW	3,3 – 8,7
Efficiency	%	> 78
Insulation rear / side walls	mm	80 / 80
Ø Supply air line for external air connection	mm	125
Weight (depending on the equipment)	kg	170 – 190
Heat emission through glass	%	35
Convective heat	%	65

### Data for chimney sweepers or responsible authority according to DIN EN 13384

(closed operation: A1 / open operation: A)

Triple value for NWL	Flue gas mass flow	g/s	A1	5,9
		g/s	A	16,0
	Flue gas temperature at the connector	°C	A1	340
		°C	A	240
	Required draught at the connector	mbar	A1	0,12
		mbar	A	0,10



#### Extension tank (4 storage rings)

Rated thermal output	kW	8
Efficiency	%	81,6



#### Hot air pipe coil extension

Rated thermal output	kW	9
Efficiency	%	83,1



#### Reheater box

Rated thermal output	kW	10
Efficiency	%	84,9



#### Hot air pipe coil extension

Rated thermal output	kW	12
Efficiency	%	79,9

### Tested method DIN EN 13229

and in accordance with Regulation Art. 15a B-VG

Testing report nr.:

RRF - 29 06 1075



1. BImSchV. level 1



1. BImSchV. level 2

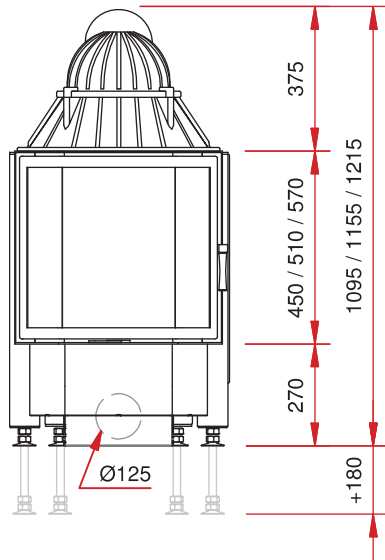


More informations:

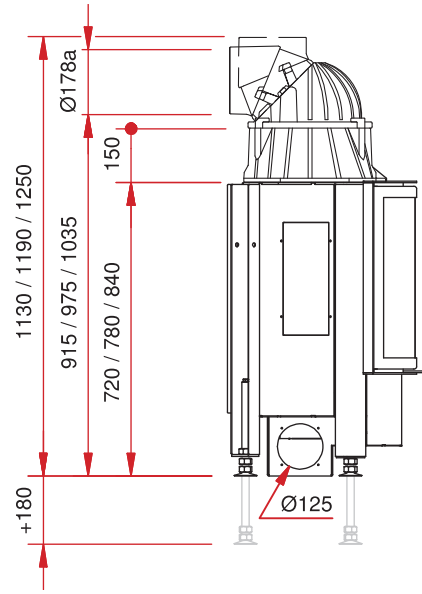
# Pano 55.. s

In our brochure we present a wide variety of accessories.

Front view M 1:20



Side view M 1:20



Top view M 1:10

