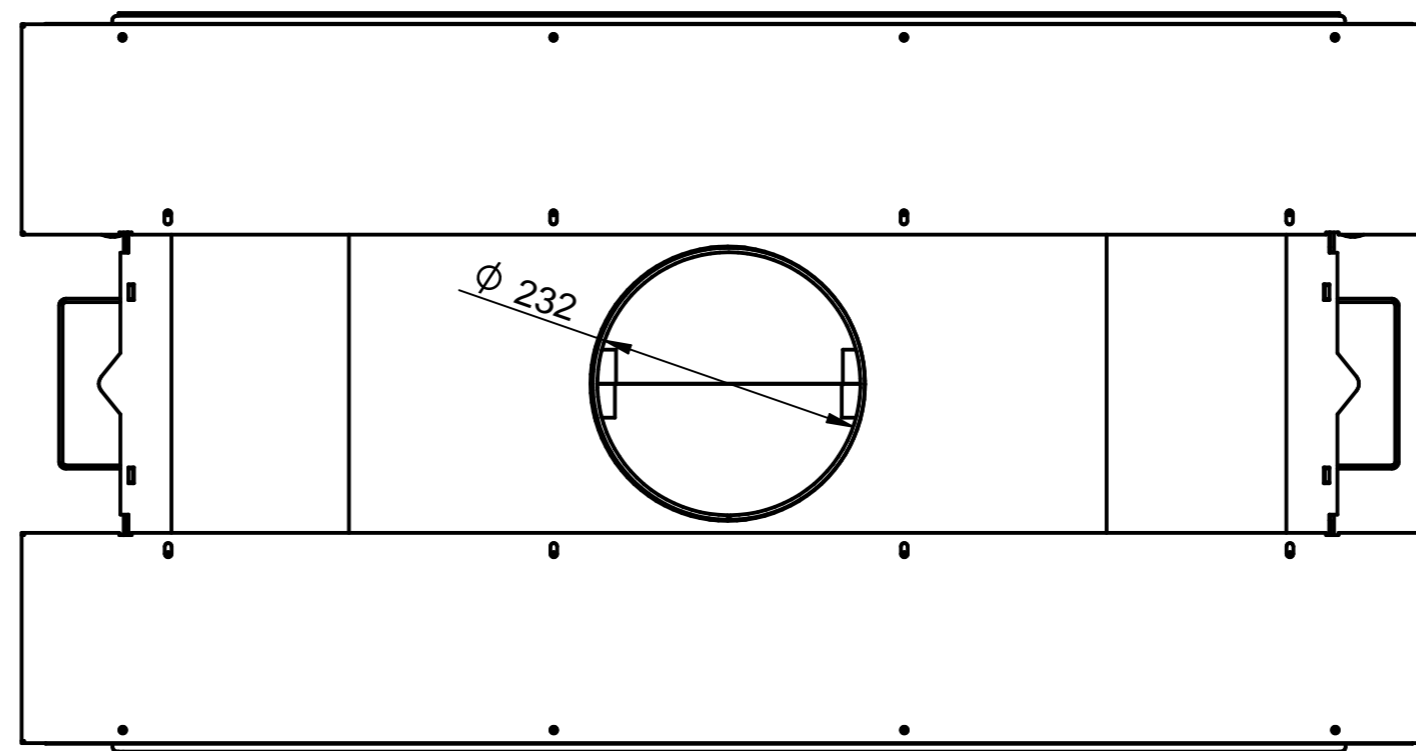


SECTION A-A



	NAME	DATE	KOPERFAM SP. Z O.O.	
DRAWN	GM	03/20	ul. Olszankowa 51	
CHECKED			05-120 Legionowo, POLAND	
ENG APPR			TITLE	
MGR APPR			LINEA DF H 1180 4.0	
	SIZE	DWG NO		REV
	A2			
	FILE NAME: LINEA_DF_H1180.dft			
	SCALE:	WEIGHT:		

