

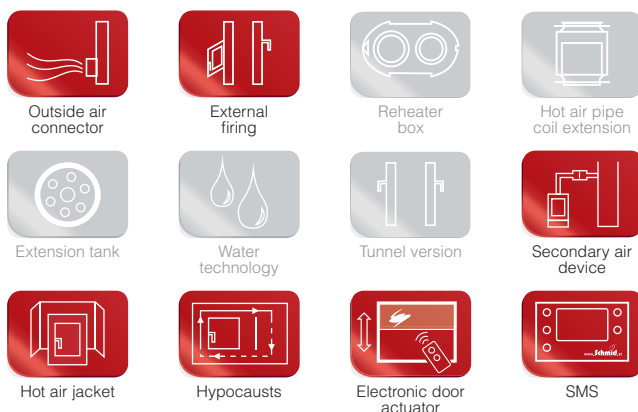
Front can be pushed up, can be tilted for cleaning

- Fire insert, 2-sided, open
- Glass 1-leafed
- 8445 - for tile size 22, H 45 cm
8451 - for tile size 25, H 51 cm
8457 - for tile size 28, H 57 cm
- Optional: Self-closing door, A1
- The lower panel for the secondary air is adjustable for an excellent glass wash
- Standard inner lining: fire clay, plain
- High-quality cast-iron dome, all parts are movable, adjustment from 0° to 90°
- Easy and fast adjustment of the construction height.
- Easily dismantles for transportation

Optional designs:



Optional comfort features:



Ekko R 84(45).. h

Specifications

Rated thermal output	kW	9
Output range (depending on the fuel quantity)	kW	4,2 – 9,2
Efficiency	%	> 78
Insulation rear / side walls	mm	80 / 80
Ø Supply air line for external air connection	mm	125
Weight (depending on the equipment)	kg	280 – 320
Heat emission through glass	%	50
Convective heat	%	50

Data for chimney sweepers or responsible authority according to DIN EN 13384 (closed operation: A1 / open operation: A)

Triple value for NWL	Flue gas mass flow	g/s	A1	8,6
		g/s	A	---
	Flue gas temperature at the connector	°C	A1	302
		°C	A	---
	Required draught at the connector	mbar	A1	0,12
		mbar	A	---



Extension tank (4 storage rings)

Rated thermal output	kW	---
Efficiency	%	---



Hot air pipe coil extension

Rated thermal output	kW	---
Efficiency	%	---



Reheater box

Rated thermal output	kW	---
Efficiency	%	---



Hot air pipe coil extension

Rated thermal output	kW	---
Efficiency	%	---

Tested method DIN EN 13229 and in accordance with Regulation Art. 15a B-VG

Testing report nr.: RRF - 29 10 2339



- 1. BlmSchV. level 1
- 1. BlmSchV. level 2



More informations:

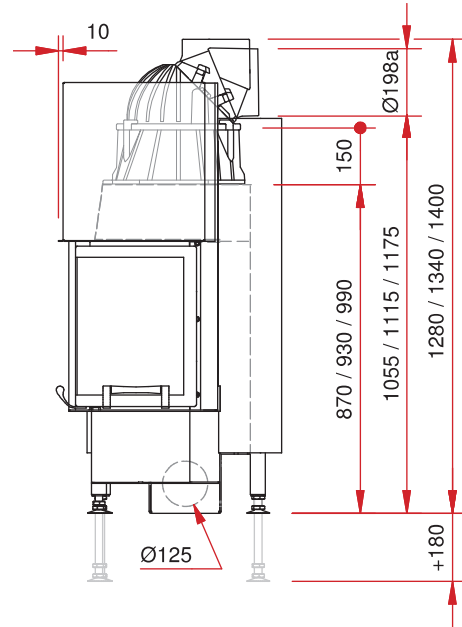
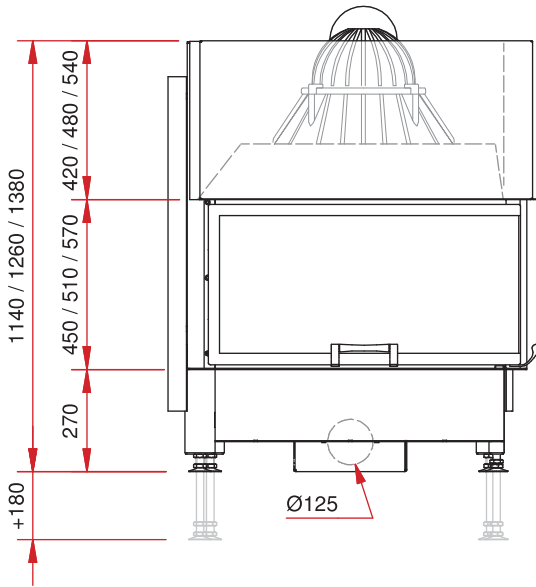
Ekko

R 84(45).. h

In our brochure we present a wide variety of accessories.

Front view M 1:20

Side view M 1:20



Top view M 1:10

