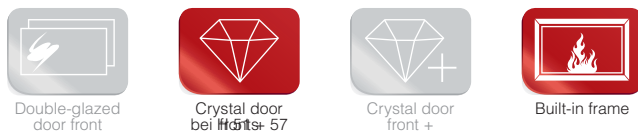


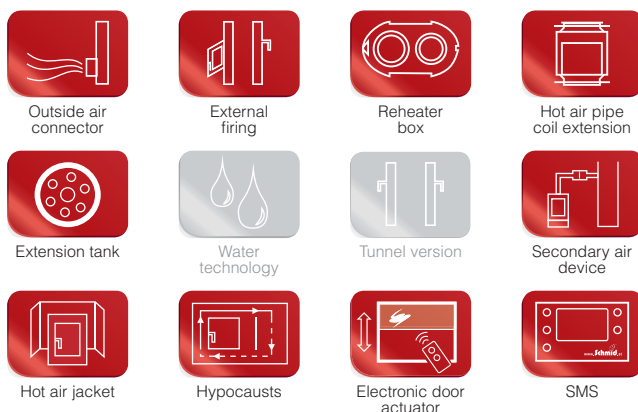
Front can be pushed up, can be tilted for cleaning

- Fire insert, 2-sided, open
- Glass 1-leafed
- 6745 - for tile size 22, H 45 cm  
6751 - for tile size 25, H 51 cm  
6757 - for tile size 28, H 57 cm
- Optional: Self-closing door, A1
- The lower panel for the secondary air is adjustable for an excellent glass wash
- Standard inner lining: fire clay, plain
- High-quality cast-iron dome, all parts are movable, adjustment from 0° to 90°
- Easy and fast adjustment of the construction height.
- Easily dismantles for transportation

#### Optional designs:



#### Optional comfort features:



## Ekko R 67(45).. h

### Specifications

Rated thermal output	kW	9
Output range (depending on the fuel quantity)	kW	3,4 – 9,8
Efficiency	%	> 78
Insulation rear / side walls	mm	80 / 80
Ø Supply air line for external air connection	mm	125
Weight (depending on the equipment)	kg	240 – 260
Heat emission through glass	%	50
Convective heat	%	50

### Data for chimney sweepers or responsible authority according to DIN EN 13384

(closed operation: A1 / open operation: A)

Triple value for NWL	Parameter	Unit	Value	
			A1	A
Flue gas mass flow		g/s	A1	9,5
		g/s	A	25,9
Flue gas temperature at the connector		°C	A1	330
		°C	A	230
Required draught at the connector		mbar	A1	0,12
		mbar	A	0,10



#### Extension tank (4 storage rings)

Rated thermal output	kW	10
Efficiency	%	80,1



#### Hot air pipe coil extension

Rated thermal output	kW	11
Efficiency	%	81,6



#### Reheater box

Rated thermal output	kW	12
Efficiency	%	83,4



#### Hot air pipe coil extension

Rated thermal output	kW	---
Efficiency	%	---

### Tested method DIN EN 13229

and in accordance with Regulation Art. 15a B-VG

Testing report nr.: RRF - 29 06 1076



1. BlmSchV. level 1

1. BlmSchV. level 2



More informations:

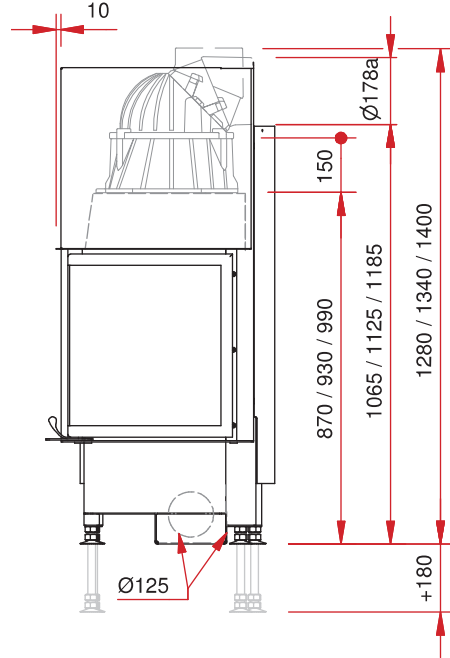
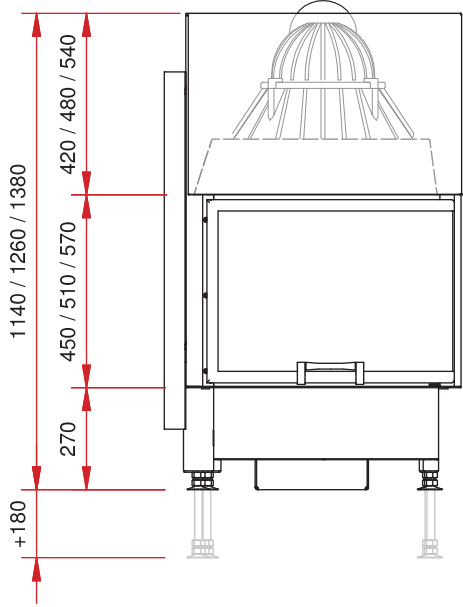
# Ekko

## R 67(45).. h

In our brochure we present a wide variety of accessories.

Front view M 1:20

Side view M 1:20



Top view M 1:10

