

Lina 5580 h



- Fire insert, open on one side
- 5580 - portrait format, H 80 cm
- Optional: Self-closing door, A1
- Door 2/3 push-up
- The lower panel for the secondary air is adjustable for an excellent glass wash
- Standard inner lining: Vermiculite, plain
- High-quality cast-iron dome, all parts are movable, adjustment from 0° to 90°
- Easy and fast adjustment of the construction height.
- Easily dismantles for transportation

Optional designs:



Optional comfort features:



Specifications

Rated thermal output	kW	7
Output range (depending on the fuel quantity)	kW	3,4 – 7,4
Efficiency	%	> 78
Insulation rear / side walls	mm	80 / 80
Ø Supply air line for external air connection	mm	125
Weight (depending on the equipment)	kg	260
Heat emission through glass	%	30
Convective heat	%	70

Data for chimney sweepers or responsible authority according to DIN EN 13384

		(closed operation: A1 / open operation: A)		
Triple value for NWL	Flue gas mass flow	g/s	A1	6,4
		g/s	A	---
	Flue gas temperature at the connector	°C	A1	260
		°C	A	---
	Required draught at the connector	mbar	A1	0,12
		mbar	A	---



Extension tank (4 storage rings)

Rated thermal output	kW	---
Efficiency	%	---



Hot air pipe coil extension

Rated thermal output	kW	---
Efficiency	%	---



Reheater box

Rated thermal output	kW	---
Efficiency	%	---



Hot air pipe coil extension

Rated thermal output	kW	---
Efficiency	%	---

Tested method DIN EN 13229

and in accordance with Regulation Art. 15a B-VG

Testing report nr.: RRF - 29 10 2333



1. BImSchV. level 1

1. BImSchV. level 2



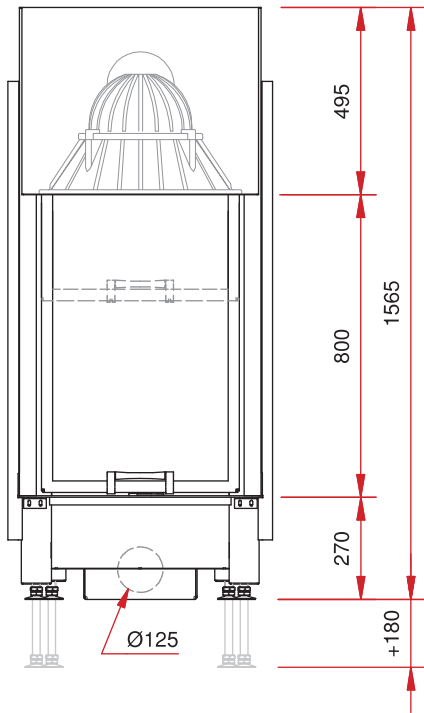
More informations:

Lina

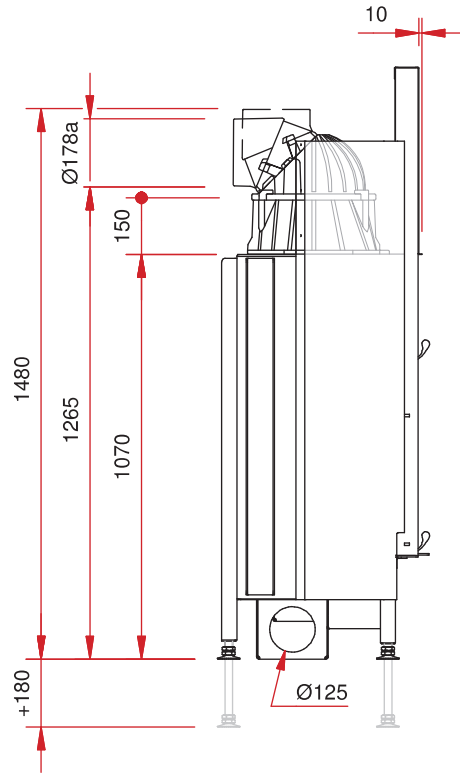
5580 h

In our brochure we present a wide variety of accessories.

Front view M 1:20



Side view M 1:20



Top view M 1:10

