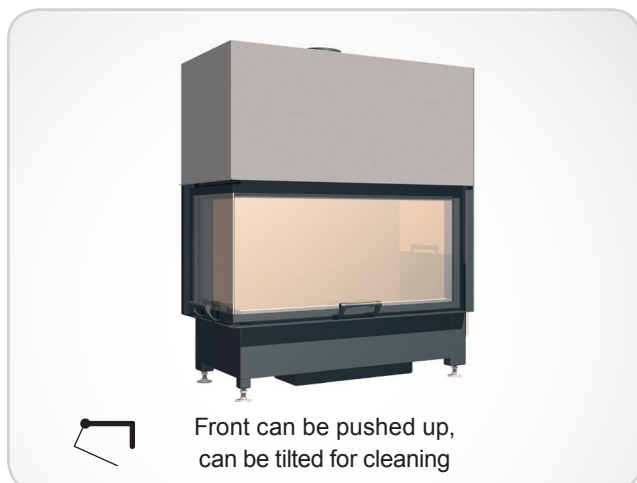


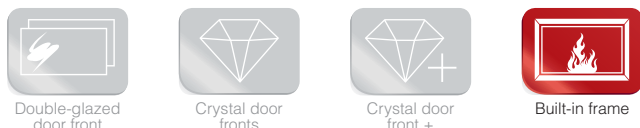
## Ekko

### L 100(45).. h

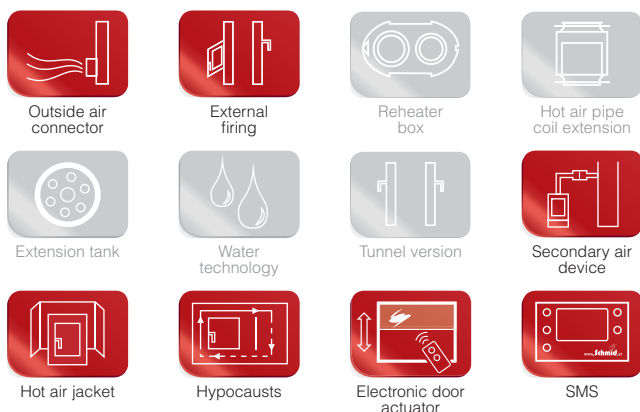


- Fire insert, 2-sided, open
- Glass 2-leafed
- 10045 - for tile size 22, H 45 cm  
10051 - for tile size 25, H 51 cm  
10057 - for tile size 28, H 57 cm
- Optional: Self-closing door, A1
- The lower panel for the secondary air is adjustable for an excellent glass wash
- Standard inner lining: fire clay, plain
- High-quality cast-iron dome, all parts are movable, adjustment from 0° to 90°
- Easy and fast adjustment of the construction height.
- Easily dismantles for transportation

#### Optional designs:



#### Optional comfort features:



#### Specifications

Rated thermal output	kW	9
Output range (depending on the fuel quantity)	kW	4,1 – 9,4
Efficiency	%	> 78
Insulation rear / side walls	mm	80 / 80
Ø Supply air line for external air connection	mm	125
Weight (depending on the equipment)	kg	310 – 350
Heat emission through glass	%	50
Convective heat	%	50

#### Data for chimney sweepers or responsible authority according to DIN EN 13384

(closed operation: A1 / open operation: A)

Triple value for NWL	Parameter	Unit	A1	
			Value	Value
Flue gas mass flow		g/s	9,5	---
		g/s	---	---
Flue gas temperature at the connector		°C	310	---
		°C	---	---
Required draught at the connector		mbar	0,12	---
		mbar	---	---



#### Extension tank (4 storage rings)

Rated thermal output	kW	---
Efficiency	%	---



#### Hot air pipe coil extension

Rated thermal output	kW	---
Efficiency	%	---



#### Reheater box

Rated thermal output	kW	---
Efficiency	%	---



#### Hot air pipe coil extension

Rated thermal output	kW	---
Efficiency	%	---

#### Tested method DIN EN 13229

and in accordance with Regulation Art. 15a B-VG

Testing report nr.: RRF - 29 10 2337



1. BImSchV. level 1

1. BImSchV. level 2



More informations:

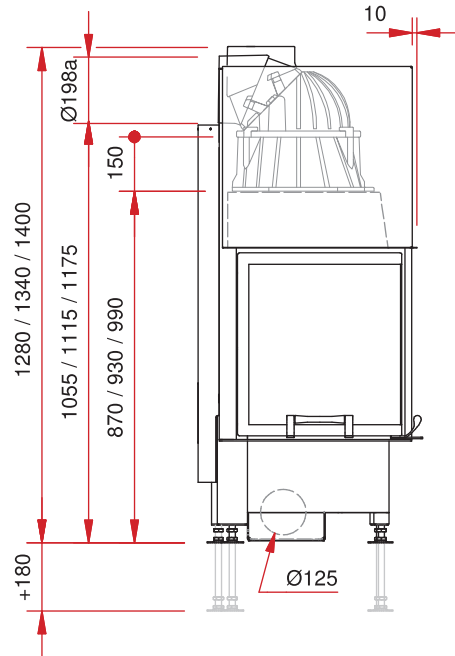
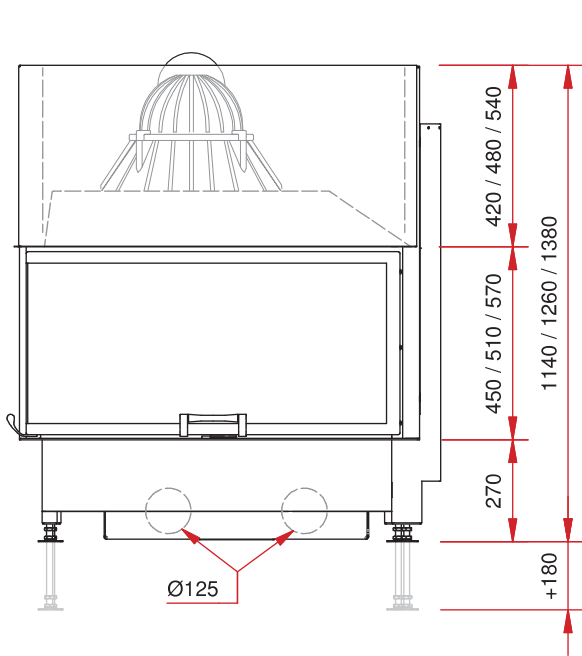
# Ekko

## L 100(45).. h

In our brochure we present a wide variety of accessories.

Front view M 1:20

Side view M 1:20



Top view M 1:10

