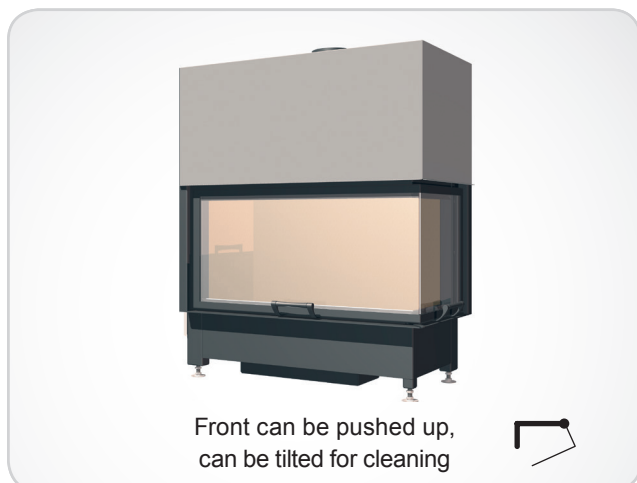


Ekko

R 100(45).. h



- Fire insert, 2-sided, open
- Glass 2-leafed
- 10045 - for tile size 22, H 45 cm
10051 - for tile size 25, H 51 cm
10057 - for tile size 28, H 57 cm
- Optional: Self-closing door, A1
- The lower panel for the secondary air is adjustable for an excellent glass wash
- Standard inner lining: fire clay, plain
- High-quality cast-iron dome, all parts are movable, adjustment from 0° to 90°
- Easy and fast adjustment of the construction height.
- Easily dismantles for transportation

Optional designs:



Double-glazed door front



Crystal door fronts



Crystal door front +



Built-in frame

Optional comfort features:



Outside air connector



External firing



Reheater box



Hot air pipe coil extension



Extension tank



Water technology



Tunnel version



Secondary air device



Hot air jacket



Hypocausts



Electronic door actuator



SMS

Specifications

Rated thermal output	kW	9
Output range (depending on the fuel quantity)	kW	4,1 – 9,4
Efficiency	%	> 78
Insulation rear / side walls	mm	80 / 80
Ø Supply air line for external air connection	mm	125
Weight (depending on the equipment)	kg	310 – 350
Heat emission through glass	%	50
Convective heat	%	50

Data for chimney sweepers or responsible authority according to DIN EN 13384

(closed operation: A1 / open operation: A)

Triple value for NWL	Flue gas mass flow	g/s	A1	9,5
		g/s	A	---
	Flue gas temperature at the connector	°C	A1	310
		°C	A	---
	Required draught at the connector	mbar	A1	0,12
		mbar	A	---



Extension tank (4 storage rings)

Rated thermal output	kW	---
Efficiency	%	---



Hot air pipe coil extension

Rated thermal output	kW	---
Efficiency	%	---



Reheater box

Rated thermal output	kW	---
Efficiency	%	---



Hot air pipe coil extension

Rated thermal output	kW	---
Efficiency	%	---

Tested method DIN EN 13229

and in accordance with Regulation Art. 15a B-VG

Testing report nr.:

RRF - 29 10 2337



1. BImSchV. level 1

1. BImSchV. level 2



More informations:

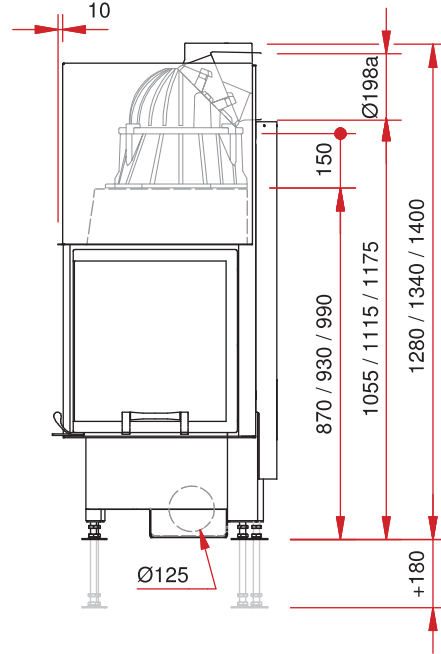
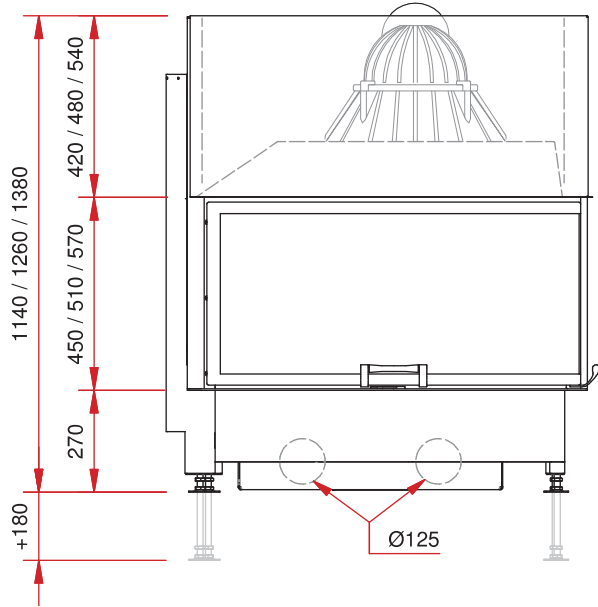
Ekko

R 100(45).. h

In our brochure we present a wide variety of accessories.

Front view M 1:20

Side view M 1:20



Top view M 1:10

